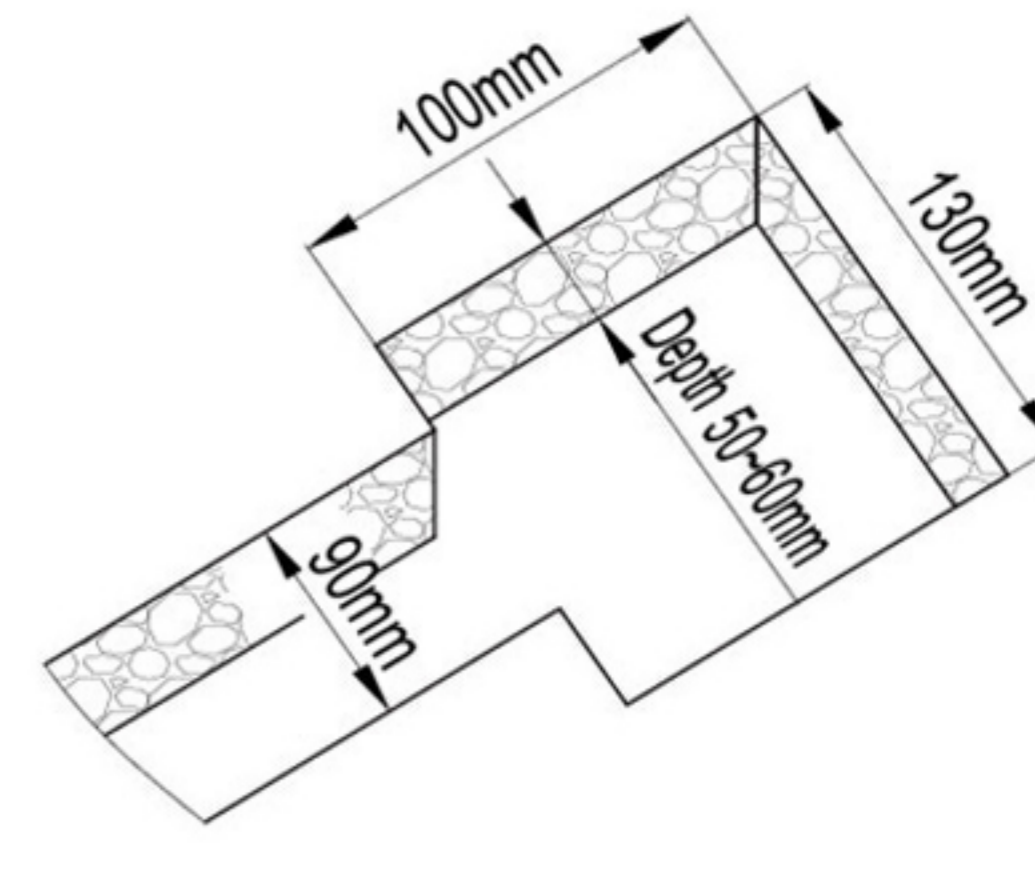
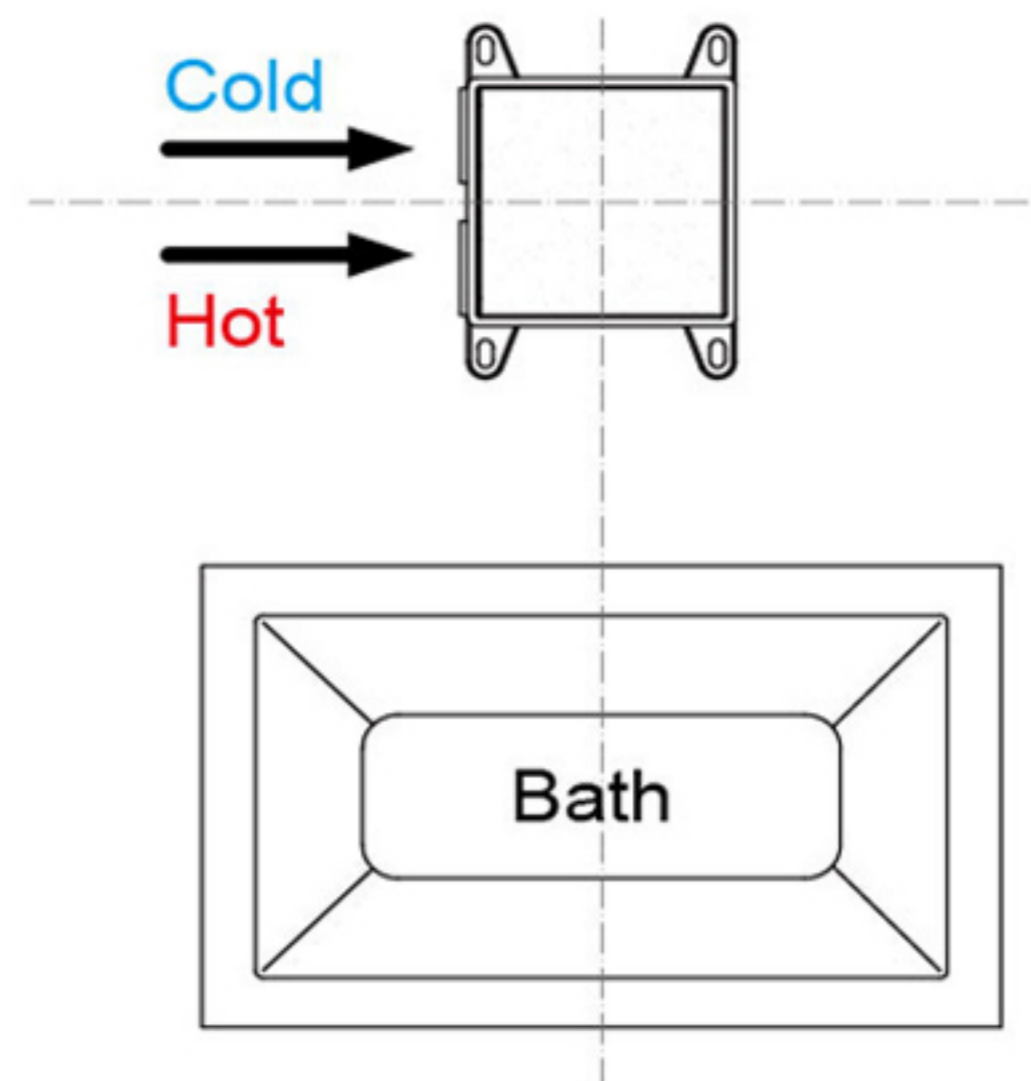


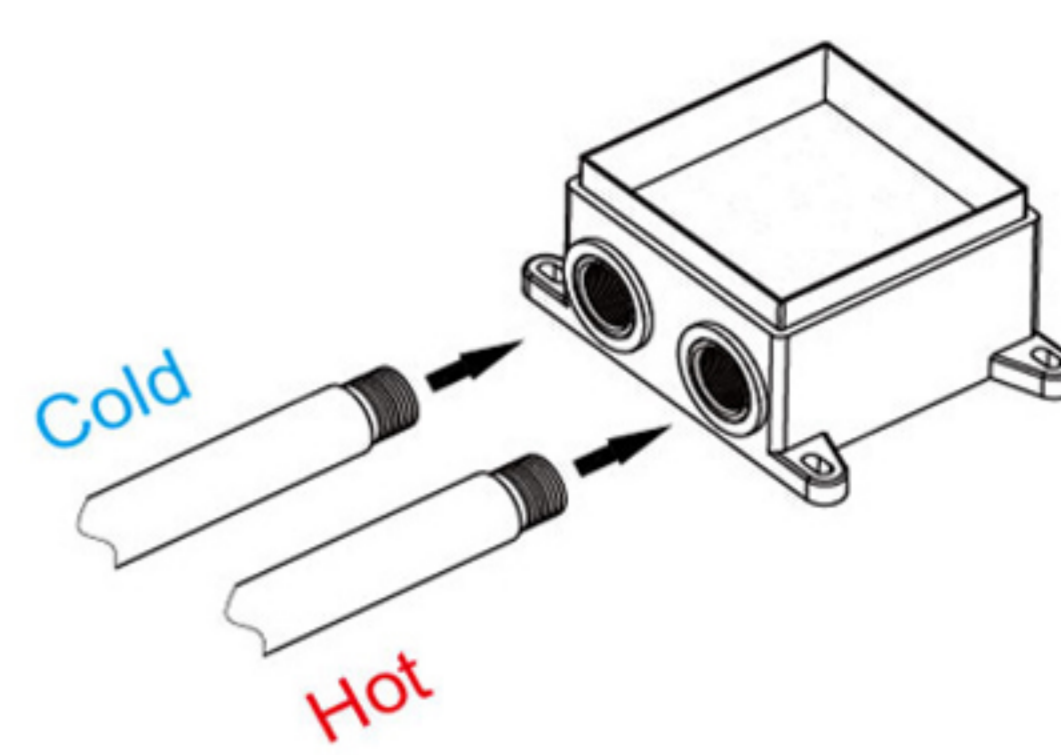
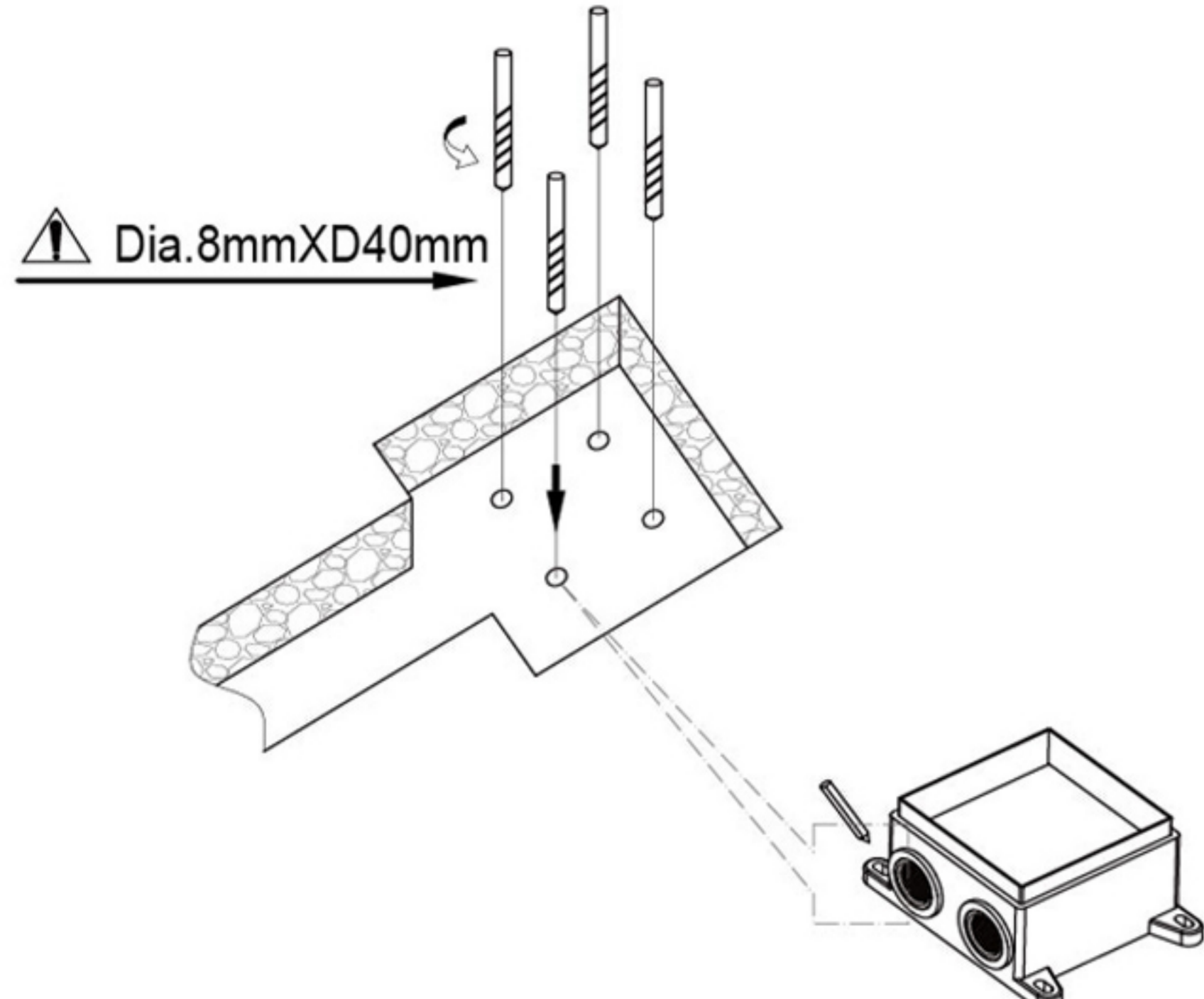
MANUAL FOR FLOORING FAUCET

INSTALLATION STEPS:



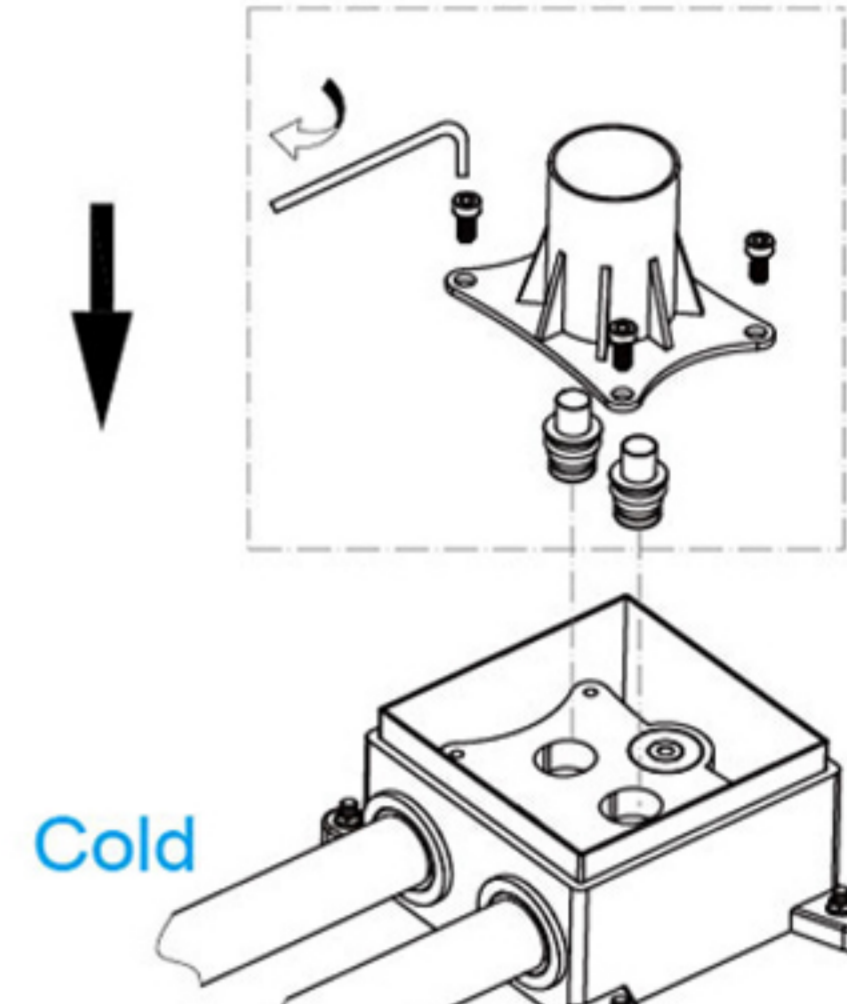
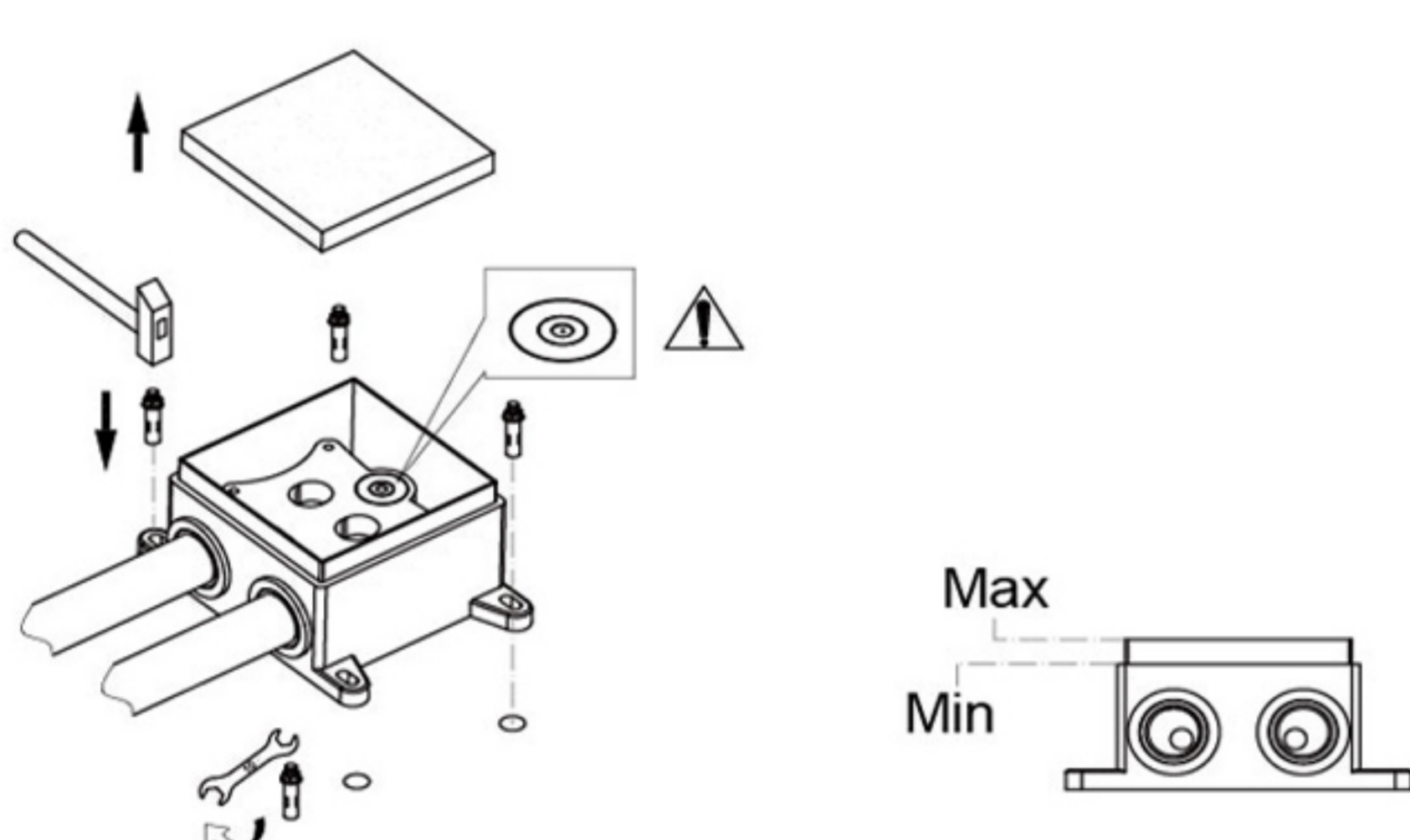
1. Put the inside part beside the bath and align it with bath.

2. Size is as per the photo



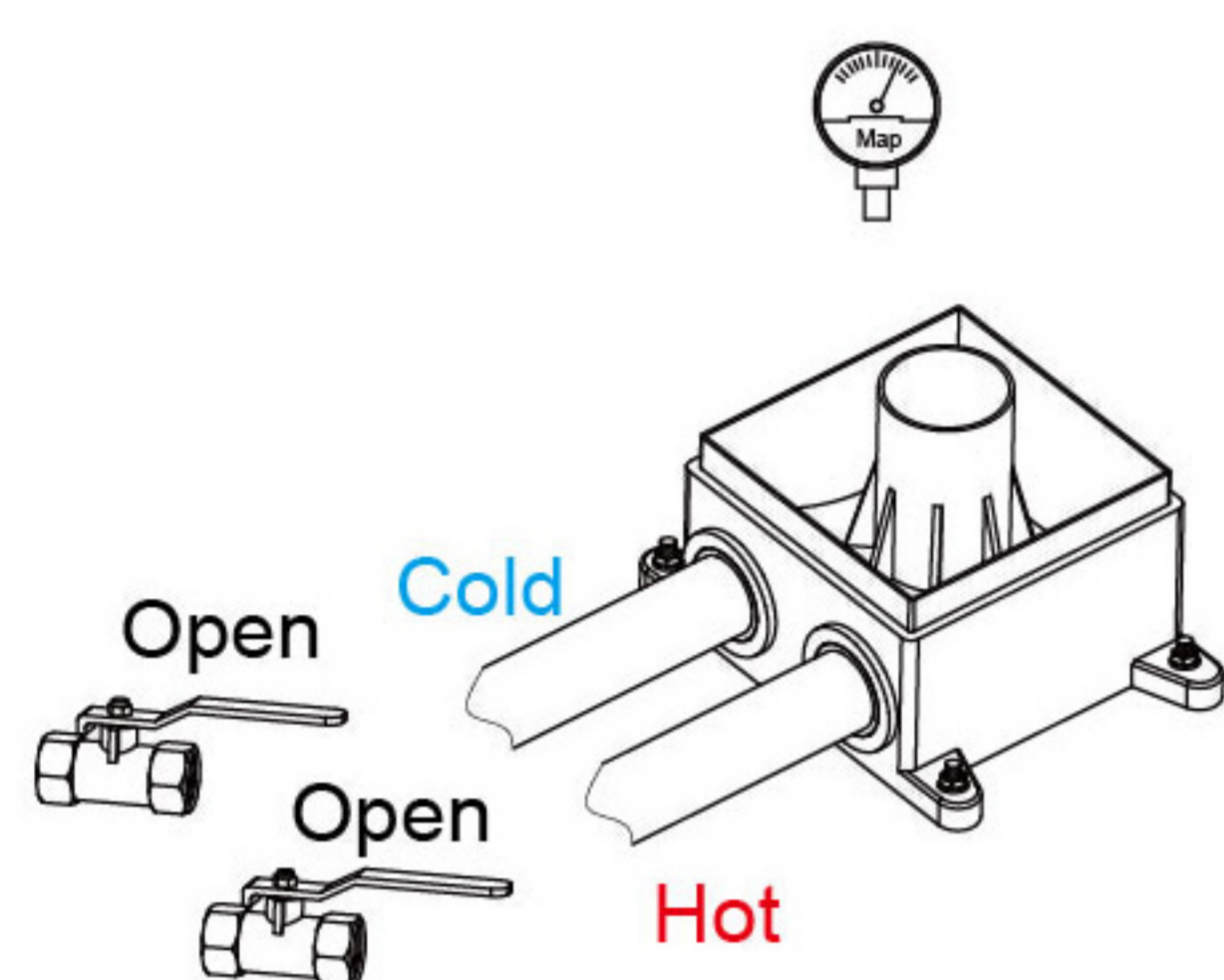
3. Mark the holes and drill dia.8mm holes with D40mm.

4. Connect the pipes correctly.

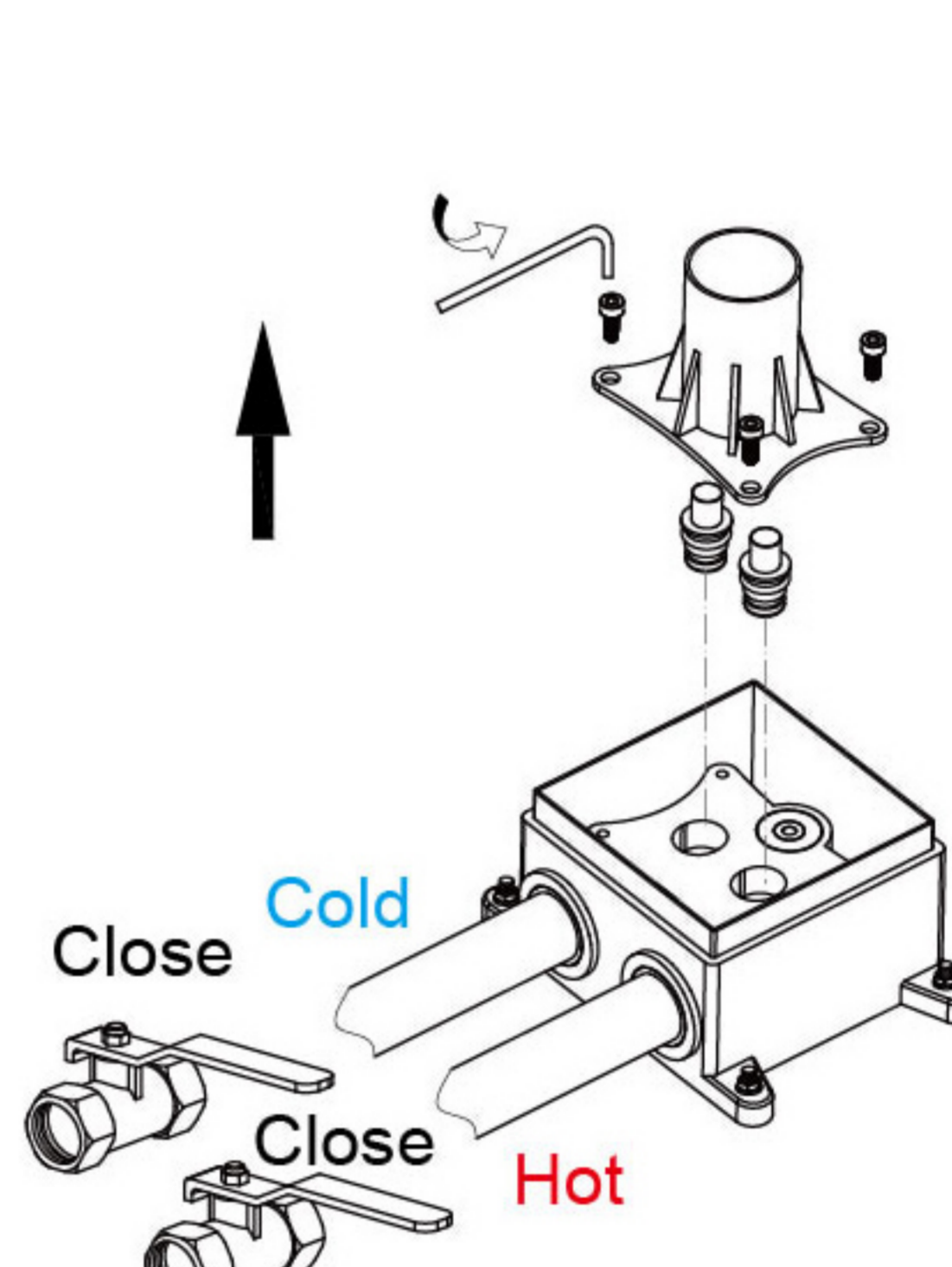


5. Remove the dust cover and adjust it to horizontal and then screw it.

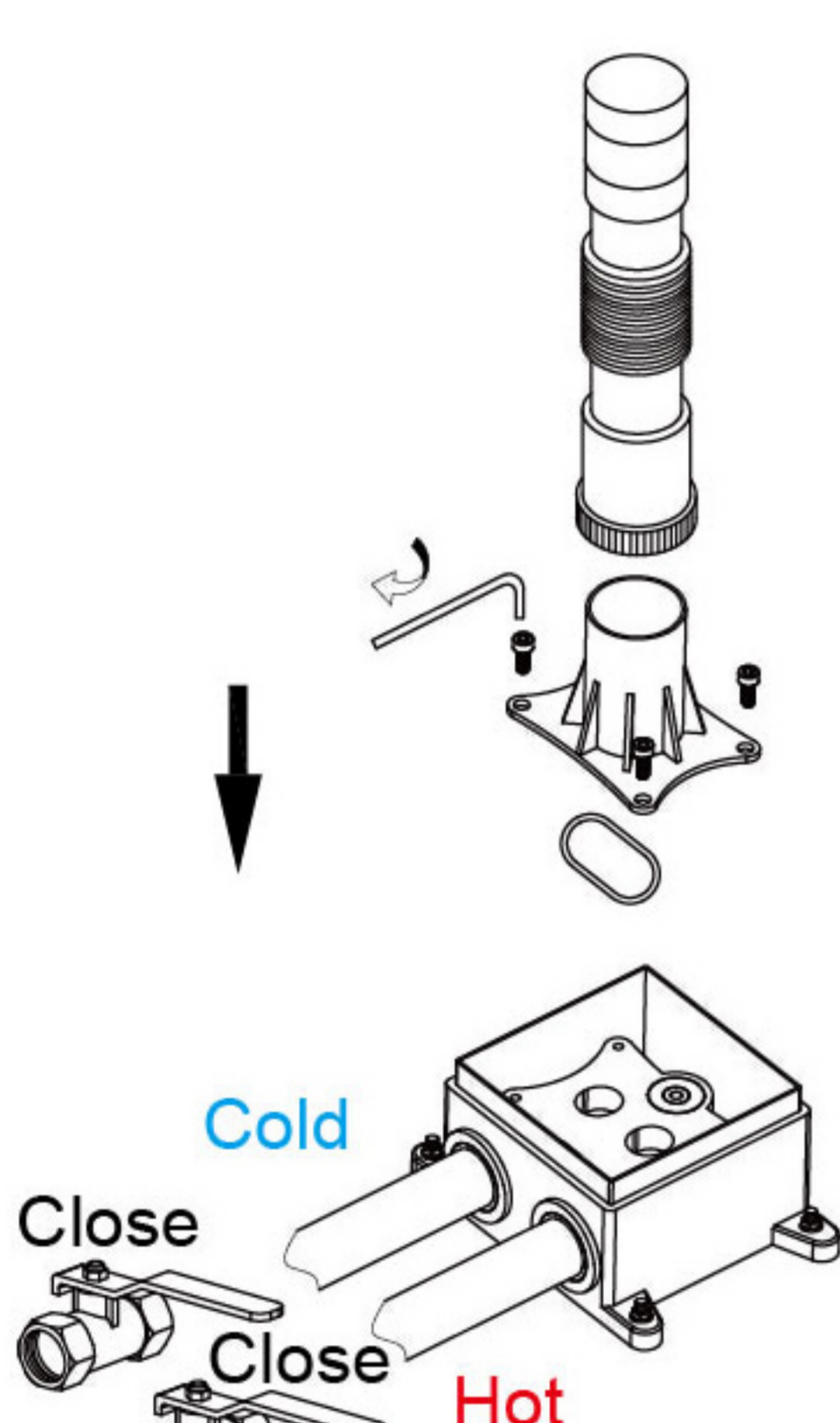
6. Install the sealing part and test the water pressure.



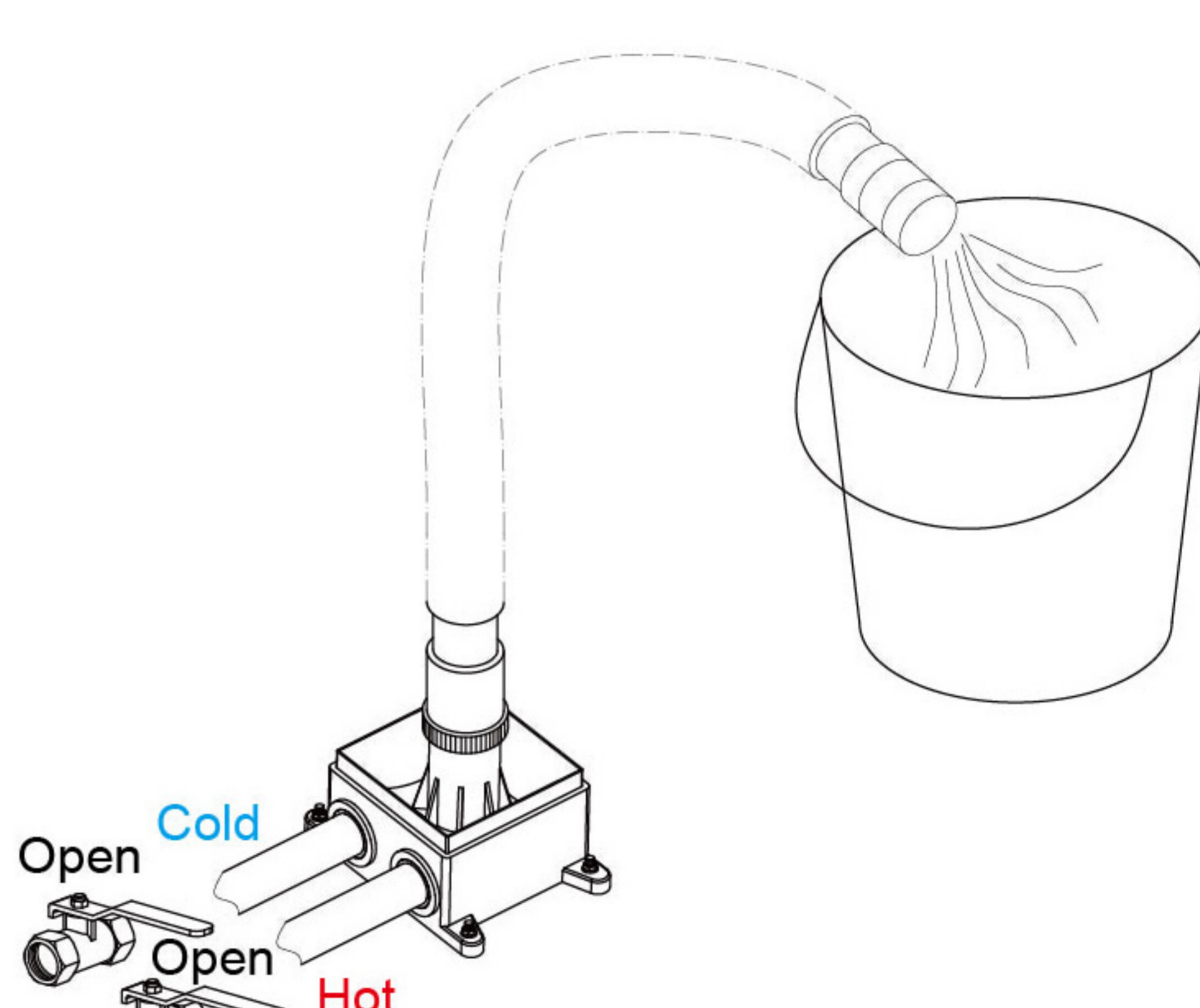
7. Test more than 10 min with 0.8MPa+ water pressure to make sure no leaking.



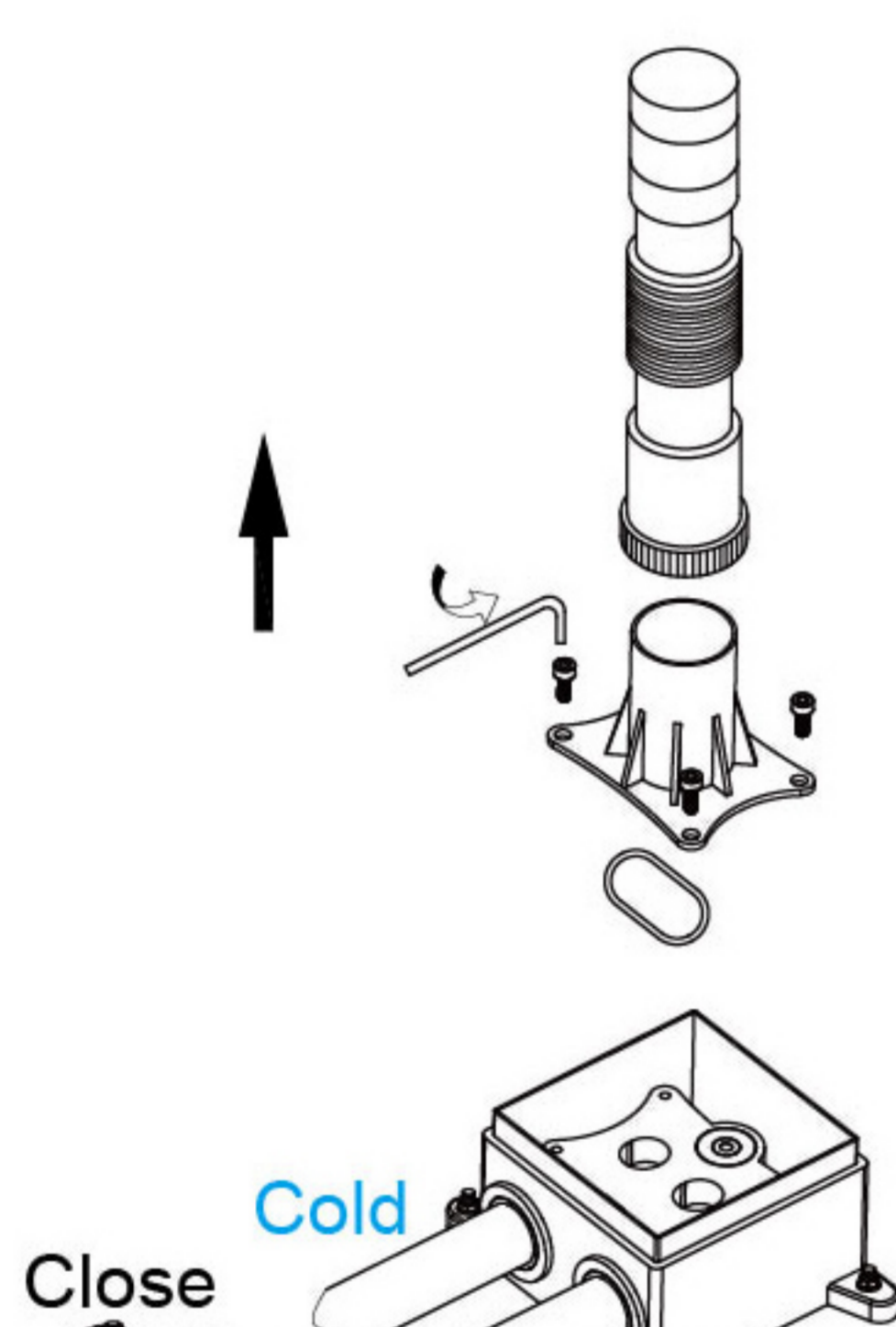
8. Off the water and remove the testing pipe.



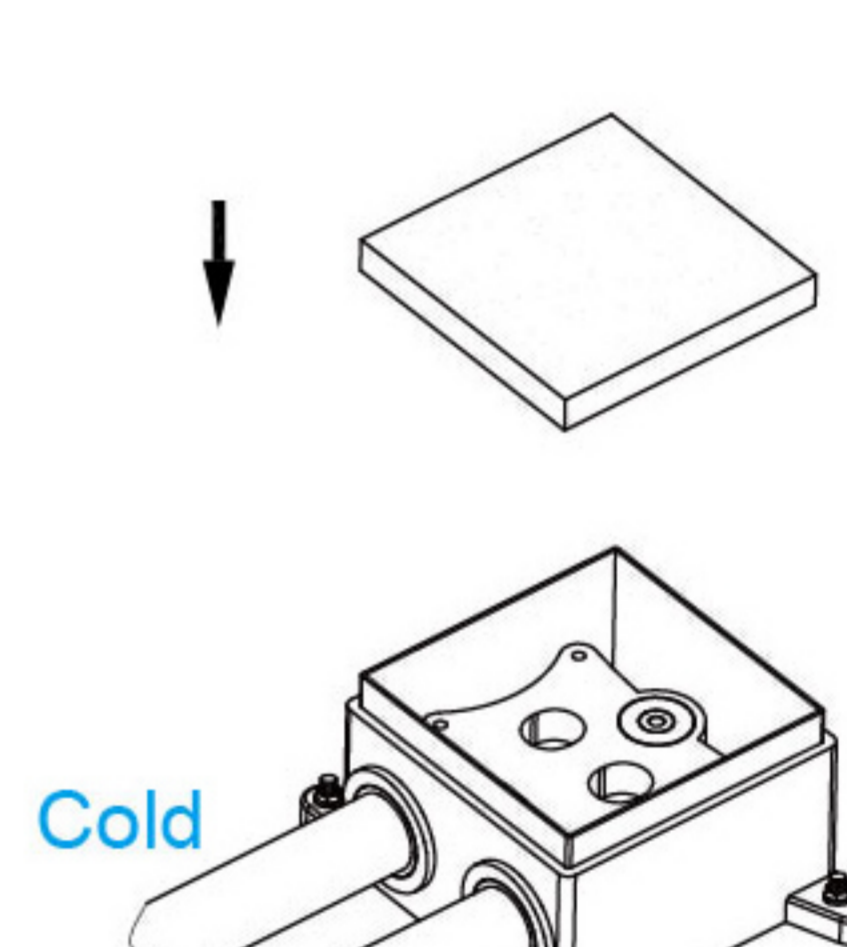
9. Install cleaning parts.



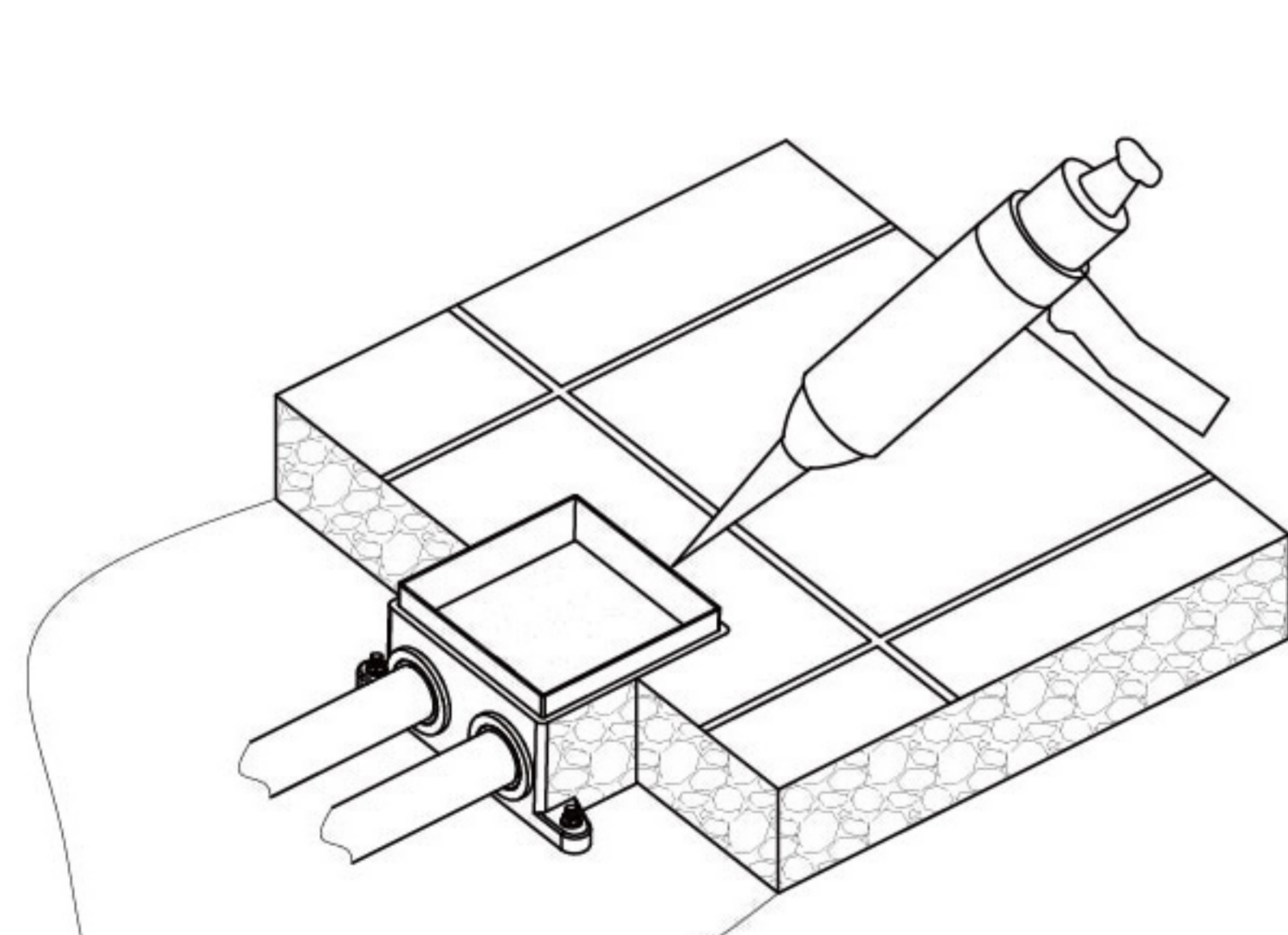
10. Clean the input pipe.



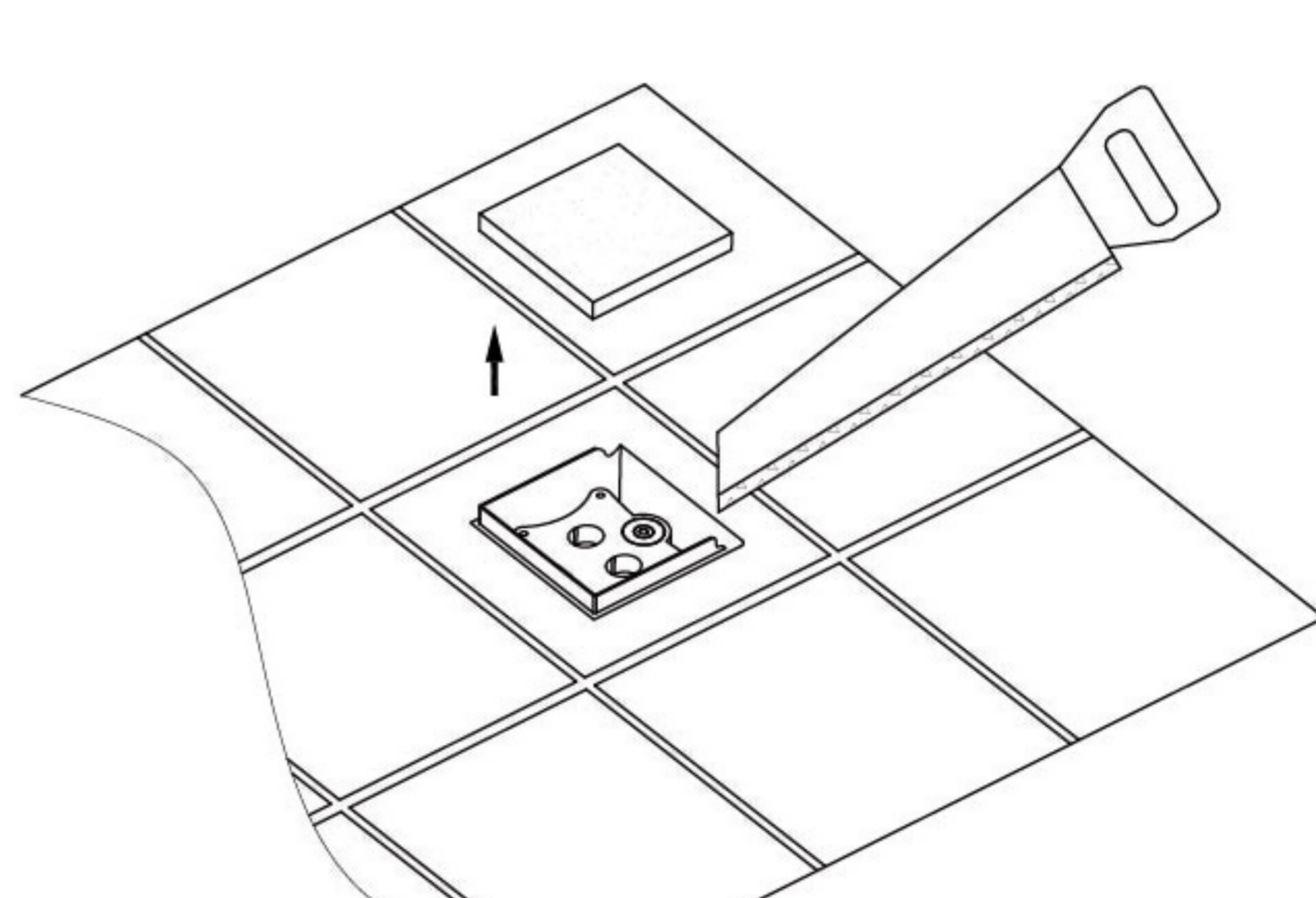
11. Off the water supply and remove the cleaning parts.



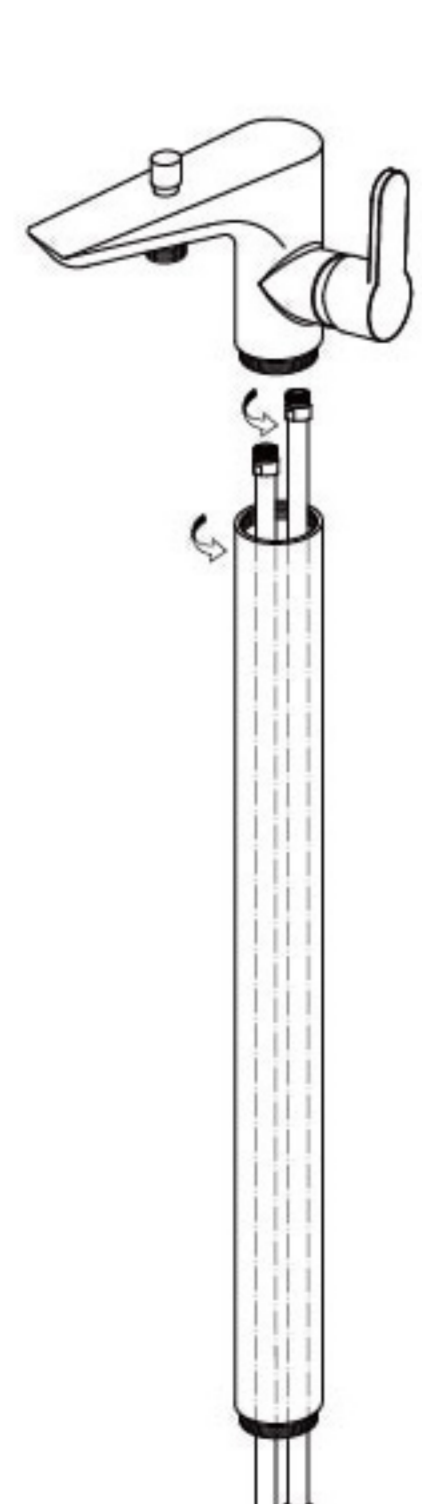
12. Put the cover.



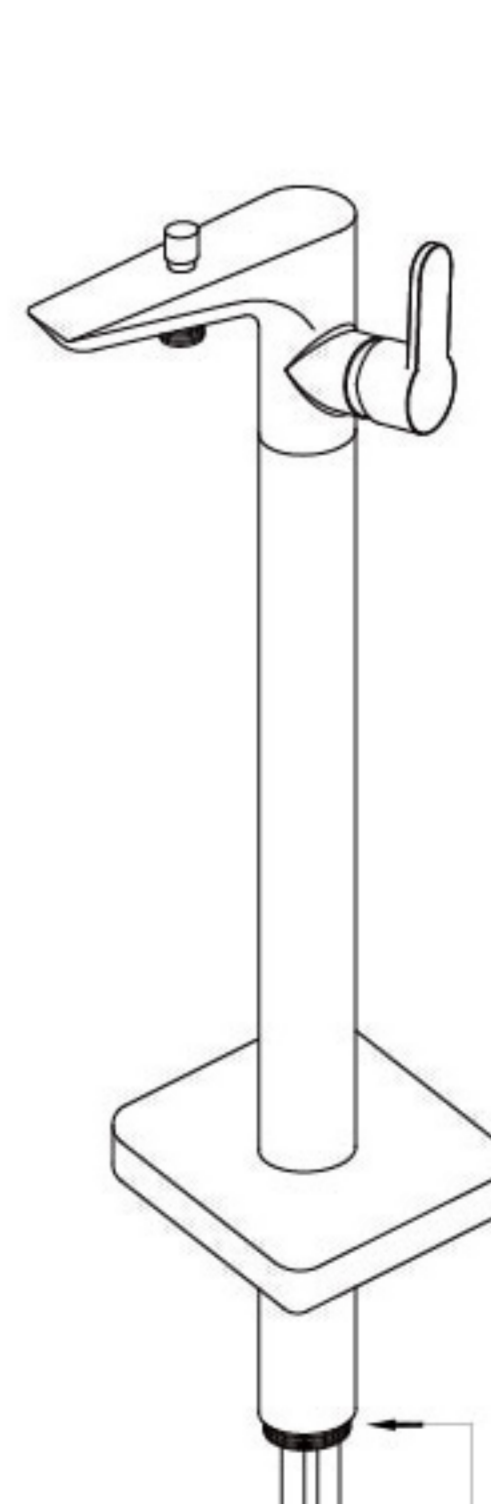
13. Install flooring and seal it.



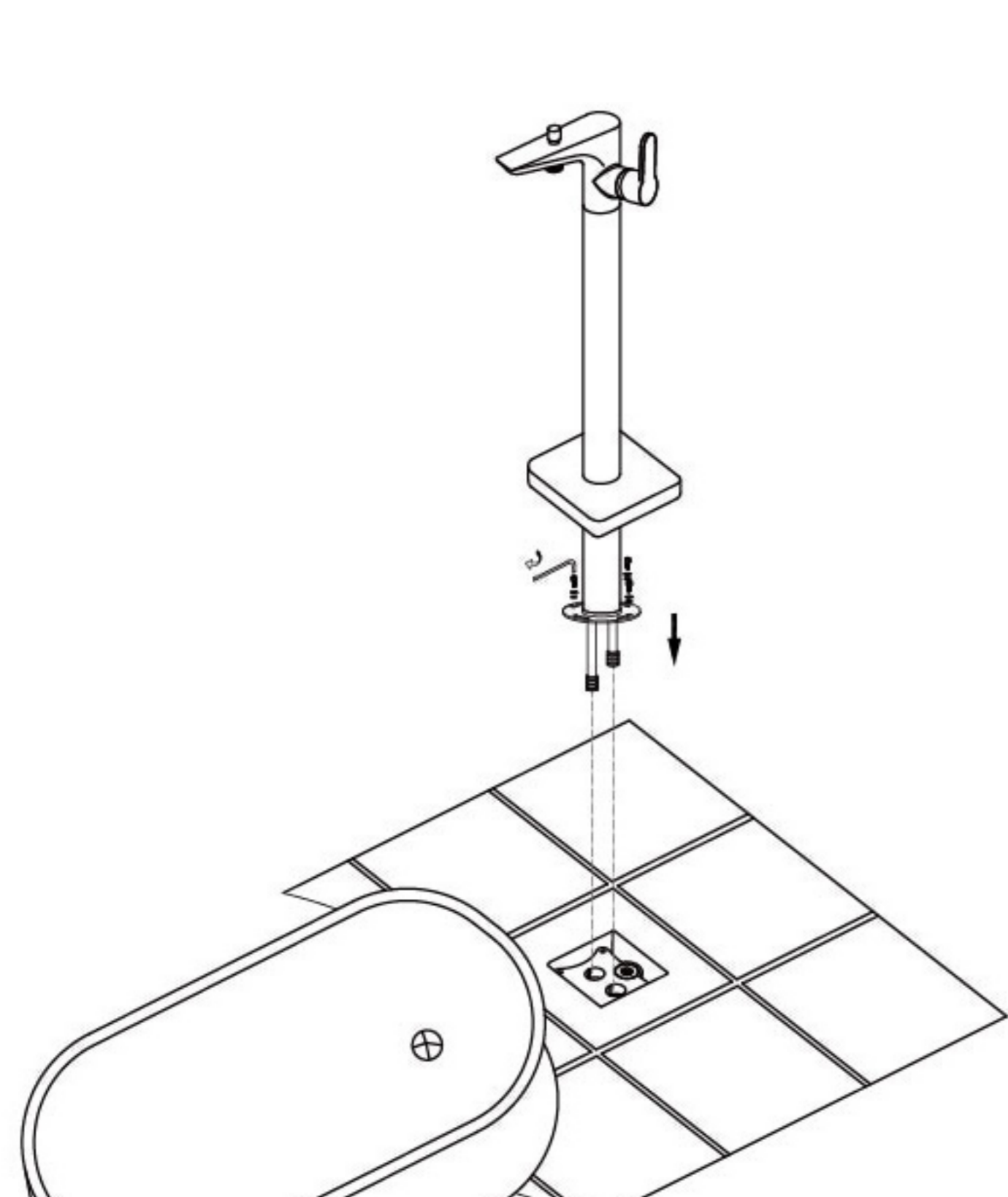
14. Cut extra plastic less than 4mm on the floor.



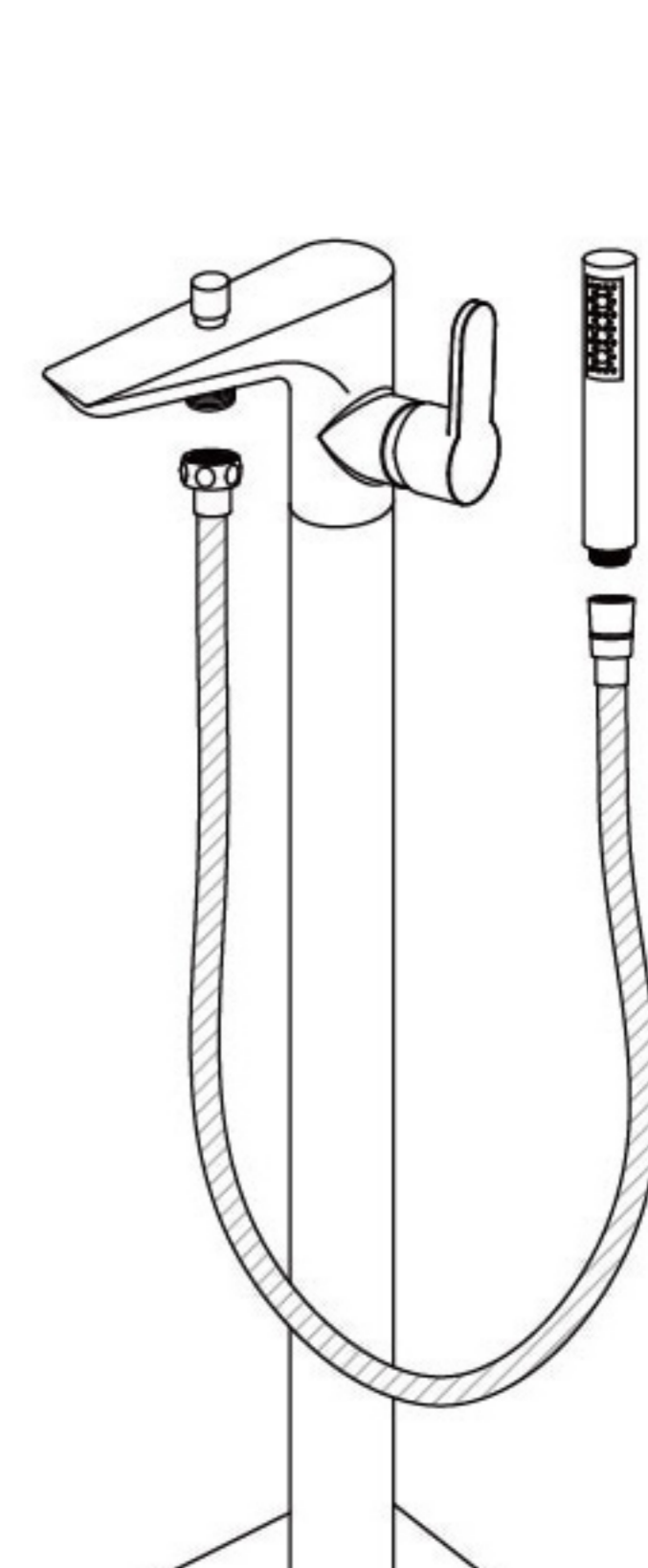
15. Connect the water pipe and fix the vertical body.



16. Put the cover and screw it.



17. Adjust the direction with bath, screw it to the fixed part and close the cover.



18. Connect the shower with tube.