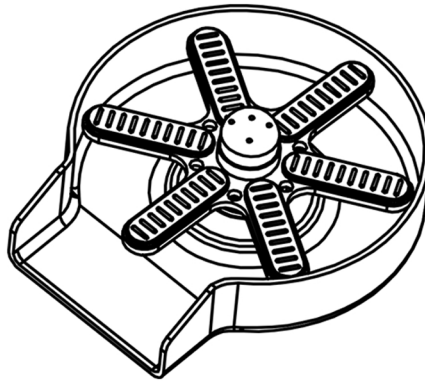


INSTALLATION INSTRUCTION / USER MANUAL

Glass / Cup Rinser



Thank you for purchasing our glass / cup rinser.
Please read the instruction carefully before installation.
Keep the manual in a safe place for future reference.

Parts Diagram / Installation

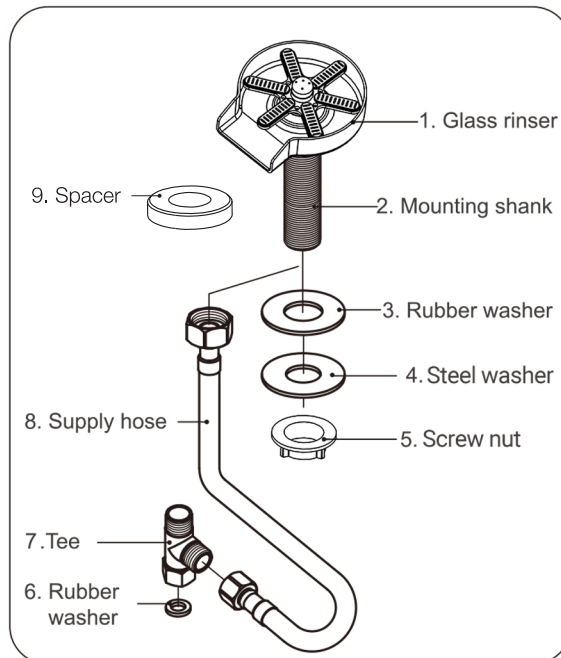
Read all instructions before installation.



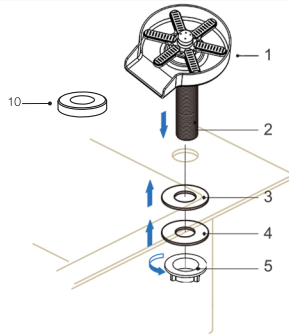
CAUTION

Failure to read these instructions before installation may result in personal injury, property damage, or product failure. Manufacturer assumes no responsibility for product failure due to improper installation.

You may need:

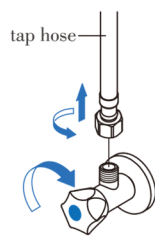


1

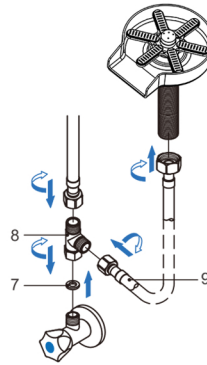


Slide mounting shank(2) through sink from above, add spacer(10) if required, then slide the shank(2) through the rubber washer(3), then through the steel support washer(4). Ensure base is aligned with sink and outlet extends into basin prior to fully tightening mounting nut(5).

2

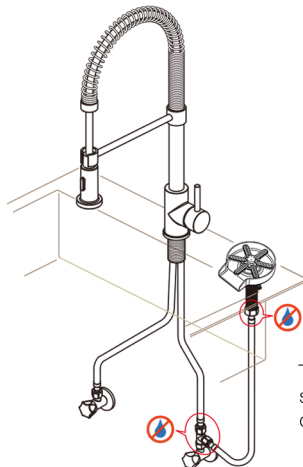


CAUTION
There is potential scald injury if you choose to supply your glass / cup rinser with hot water.



- Turn off both hot and cold water supply at the angle stop valve.
- Unscrew the tap hose from the angle stop valve.
- Firstly thread the tee(8) and rubber washer(7) on the angle stop valve, and then screw the tap hose to the threaded male tee(8).
- Screw one end of the supplied hose(9) to the threaded male tee(8) and the other end to the mounting shank(2).

3



Turn on both water supplies at angle stop valve and check for leaks at all connections made during this installation.