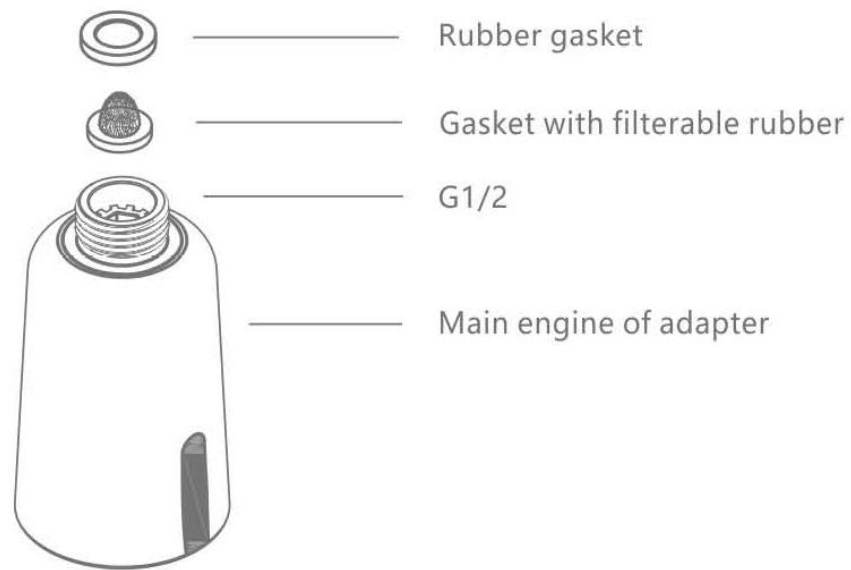


Installation Manual

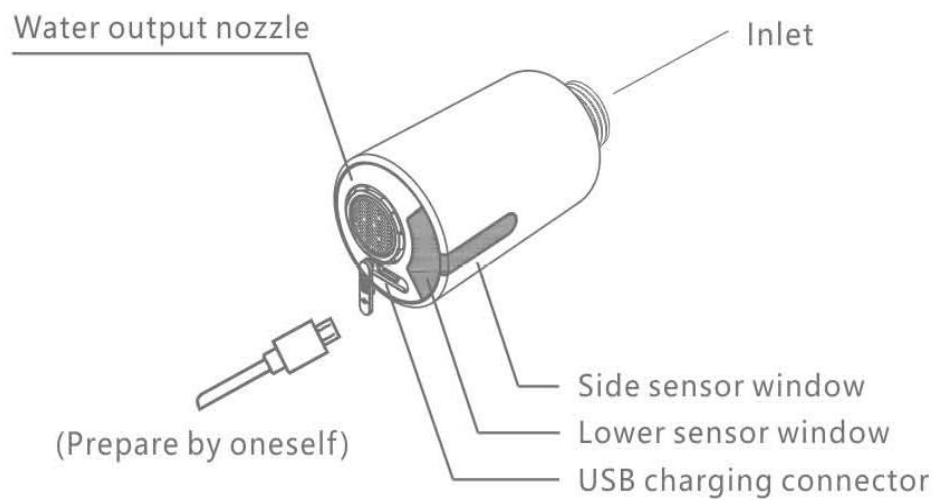
Touchless Faucet Sprayer

Product Configuration



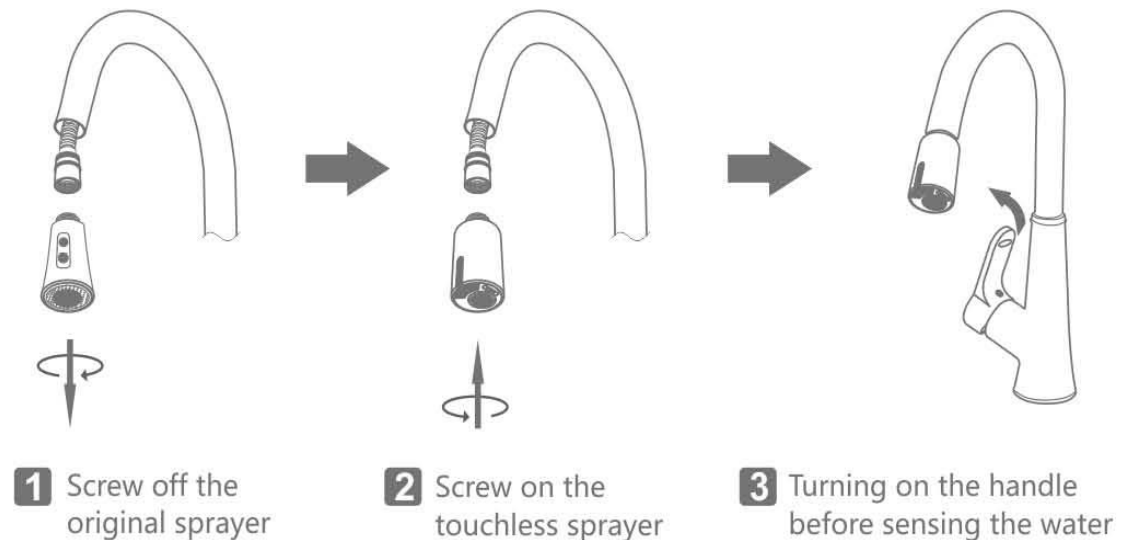
*This product is fixable in pull out type kitchen faucet,
Pull out hose with female connector M24*1 .

Function Inducation



- 1** Long time water output(side sensor window): water output when wave hand, water stop when wave again.
- 2** Short time water output (lower sensor window): water output when wave hand, water stop when hand leave.

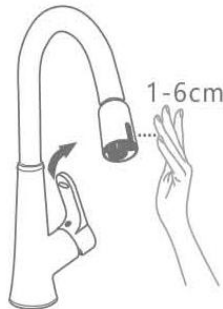
Installation Drawing



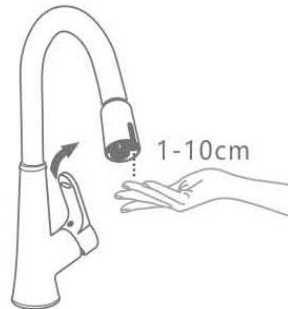
*Notice: Before screwing off/on the sprayer, please fix or grasp the pull out hose well, to avoid the pull out hose retracting back into the faucet.

Product Usage

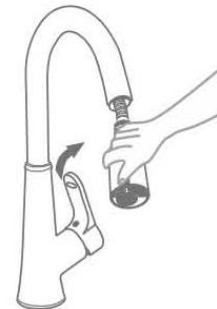
- 1** Long time water output: waving side sensor window, the faucet out of the water, wave again to stop; 3 minutes overtime water output protection.
- 2** Short time water output: put hand to the bottom of the sensor window, the faucet is out of water, water will stop when hand leave; 3 minutes overtime water output protection.
- 3** Pull out water outlet: Keep holding the hand on the side sensor window, then water is out. The water will be turned off after 1 second since hand leaves the sensor window.



1 Long time water output



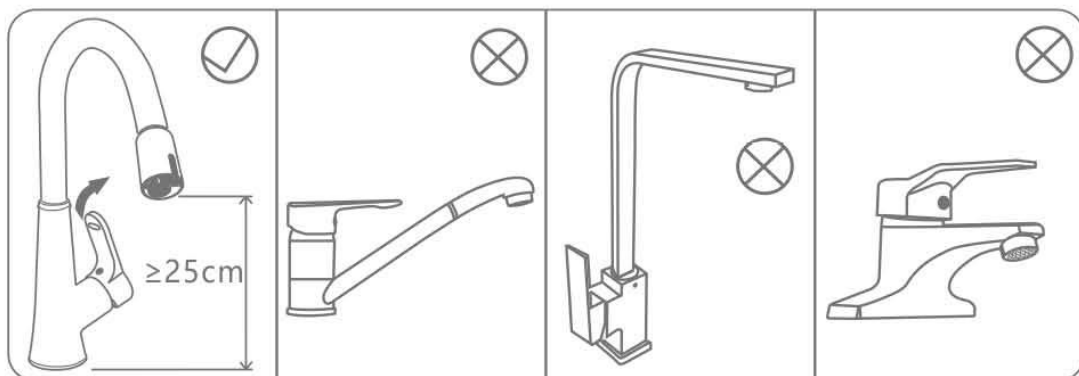
2 Short time water output



3 Pull out water outlet

Applicable Faucet

- 1** It is ONLY suitable for the high spout pull out kitchen faucet with G1/2 thread.



*According to the use habit, Suggest to put the side sensor window inby or at the right/left side. The use effect would be better than putting the sensor window in the front facing to the people.

Usage Maintenance

- 1** If the volume of water is found to be small or no water, it may be blocked by the filter. Please unscrew the inlet fitting, remove the filter gasket and wash it with water, then put it back.
 - 2** When battery is with low power, the indicator light will flash slowly for 5 times when put hand, indicating that it needs to be charged, can continue to use; When battery is with very low power, the indicator light will flash 10 times when put hand, indicating that the battery needs to be charged urgently, the water should be forcibly turned off.
- REMINDER**
1. In normal use, the battery life is about 9 months; if it is not used for a long time, please charge it within 3 months in case the battery uses up. Product can not work normally when charge it. and should turn off the handle of the faucet in advance.
 2. USB cable and power adapter are not included with product itself.



Precautions for Usage

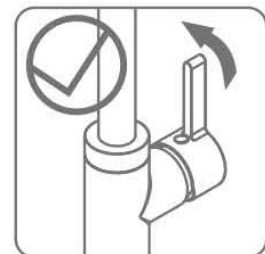
- 1** Do not use rough objects to scrub the parts of the sensing window, such as rough linen, brushes, steel balls, etc. Do not wipe the product with a damp cloth that is drenched with water or dripping to avoid sensor failure or product damage.
- 2** Do not use strong acid or alkali for detergent cleaning.
- 3** When the faucet is not used for a long time, please close the handle.
- 4** Please ensure that the water supply pressure is within the range of 0.05-0.8 MPa, otherwise there may be dripping or water leakage.
- 5** When using the product, please make sure that the USB charging protection plug is tightly fitted, in case gas enters and rusts the charging port.



1



2



3

FAQ Handling

- 1** Water leakage after installation
 - 1.1 Please confirm whether there is a gasket at the inlet joint and whether the gasket thickness is suitable.
 - 1.2 Please confirm whether the water pressure is within the range of 0.05-0.8 MPa.
- 2** No water when sensing
 - 2.1 Please confirm whether the faucet handle and the inlet angle valve are open and whether the water is stopped.
 - 2.2 Please confirm whether the surface of the upper and lower sensing windows are covered with water or covered with mist, cleaning it is ok.
 - 2.3 Please confirm that there should be no obstacles within 30cm of the upper and lower sensing windows.
 - 2.4 Please confirm that the sensor window indicator flashes once when the sensor is reached. If it flashes continuously or does not flash, please use it after charging.
- 3** Intermittent water or water can not stop
 - 3.1 Please confirm whether there are large drops of water on the surface of the upper and lower sensing windows or covered with mist, and wipe them clean
 - 3.2 Please confirm that there should be no obstacles within 30cm of the upper and lower sensing windows.

Qualification Certificate

| | |
|---------------------|---|
| Product Name | Touchless faucet sprayer |
| Product Number | |
| Date of Manufacture | |
| Inspectors | QC 09 PASS |
| Executive Standard | CJ/T194-2014 《Non-contact water supply appliance》 |

| | |
|-----------------|---------------------------------------|
| Purchase Date | |
| User Phone | |
| Warranty Clause | See warranty instructions for details |
| Service Hotline | |